



PROCESSED ACTIVE MONITOR

APPLICATIONS

- Live Sound Reinforcement Floor Monitor
- Touring Systems, Clubs, Auditoriums, Theatres
- House of Worship, D.J. Booth Monitor
- Medium to large show production
- Commercial Installations

FEATURES

- 0,59" baltic birch plywood cabinet, internally braced to prevent undesired resonance and vibrations
- 15" custom woofer with 2.5" voice coil
- 1" B&C HF compression driver with 1.7" voice coil
- 90° omnidirectional angle dispersion
- Control panel with balanced XLR/Jack input and XLR link out, Level, Preset, HP Filter, Mic/Line switch, 3 status led indicators
- Wall bracket mount flange plate, 1.38" top-hat speaker stand socket, two integrated handles
- High SPL capability: 129dB
- Available in white colour
- Completely Manufactured in Italy



Designed, Engineered
and Manufactured in ITALY

PRODUCT DESCRIPTION

The FBT VERVE115MA bi-amplified speaker feature 0.59" Baltic birch plywood construction, covered in a scratch & scuff resistant black finish. The FBT VERVE 115MA is a two way design incorporating a 15" custom woofer with 2.5" voice coil, 1" B&C compression driver with 1.7" voice coil. With a frequency range of 57Hz-20kHz the FBT VERVE 115MA provides hi fidelity sound for both speech and music applications with a maximum SPL of 131dB. The bi-amplified FBT VERVE 115MA features a 400W RMS low frequency amp and a 100W RMS high frequency amp. The control panel features a master volume control, selector of 4 presets, XLR input & link, HP filter switch, mic/line switch, protect/limiter - peak - on led indicator. A front face steel grille protects the woofer from externa damage. The optional mounting bracket allow the FBT VERVE 115MA speakers to be surface mounted on walls or ceilings. A standard 1,38" speaker stand socket allows the FBT VERVE 115MA to be mounted on speaker stands.

ELECTRONIC SPECIFICATIONS

System Type:		2 Way
Internal Amplifiers*	cont.:	350W+80W RMS
	max.:	400W+100W RMS
	max. peak:	800W+200W
Low Frequency Woofer		1 x 15" - 2.5" coil
High Frequency Driver		1 x 1" - 1.7" coil
Frequency Response @ -6dB		57Hz - 20kHz
Frequency Response @-3dB		66Hz - 18kHz
Input Impedance		22kOhm
Maximum SPL (continuous/peak)**		125.5dB / 131dB
Dispersion		90°
Active Crossover Frequency		1.5kHz
AC Power Requirement		450VA

PHYSICAL SPECIFICATIONS

Input Connectors		XLR with loop
Net Dimensions (WxHxD)		24.40" x 14.17" x 18.50"
Shipping Dimensions (WxHxD)		20.86" x 29.13" x 20.86"
Net Weight		43.21lb
Shipping Weight		49.82lb
Enclosure Material		0.59" birch plywood
Grille		Steel with powder coat black paint finish
Power Supply Cable		16.4 ft

* CONT. : 500ms burst, rms power on nominal speaker impedance
MAX: 2ms burst, rms power on nominal speaker impedance
MAX PEAK: based on max peak output voltage and nominal speaker impedance

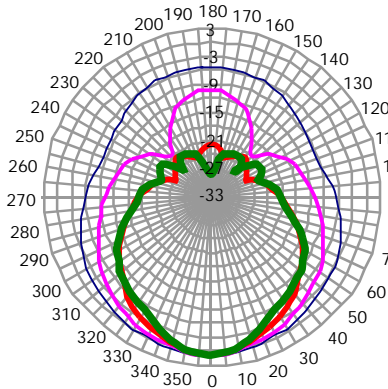
** CONT. SPL: free space, based on continuous power amp rating and LF transducer average sensitivity data, 125mS time average
PEAK SPL: free space, based on max. peak power amp rating and system peak sensitivity, 10mS time average



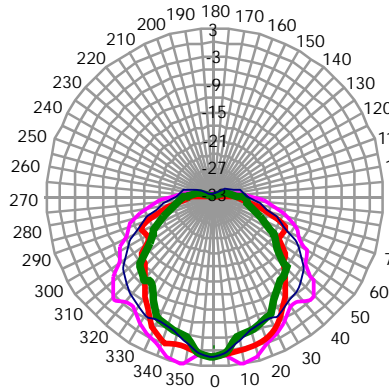
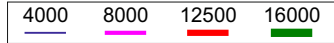
VERVE 115MA

DIAGRAMS

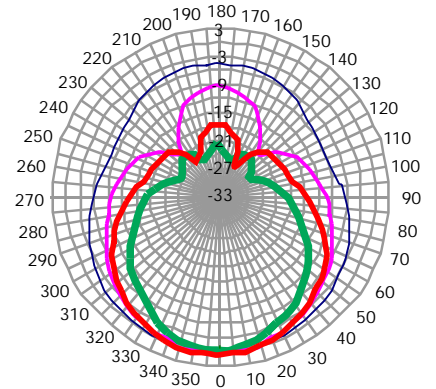
Horizontal polar diagrams



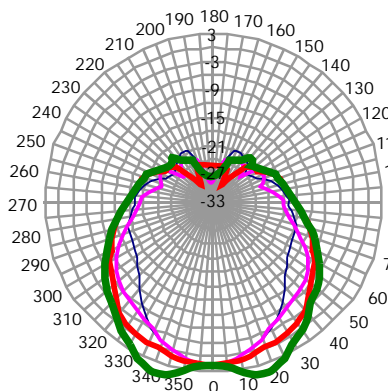
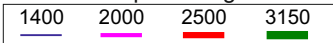
Horizontal polar diagrams



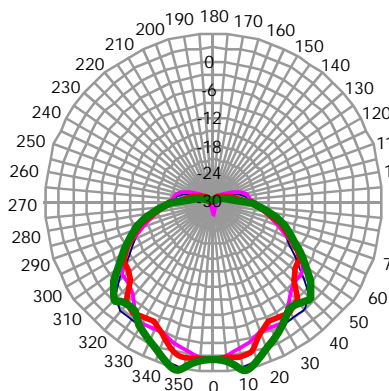
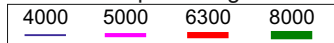
Vertical polar diagrams



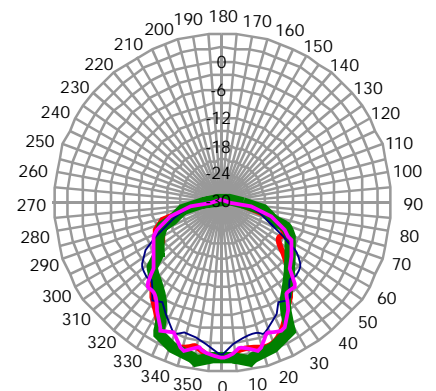
Vertical polar diagrams



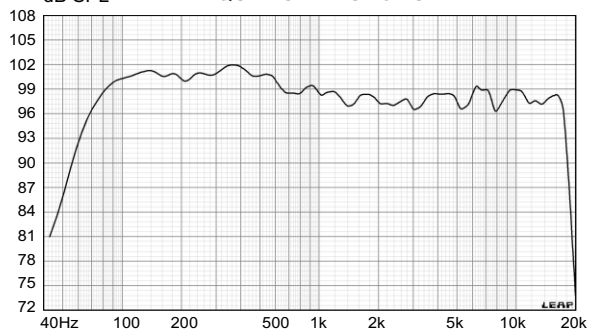
Vertical polar diagrams



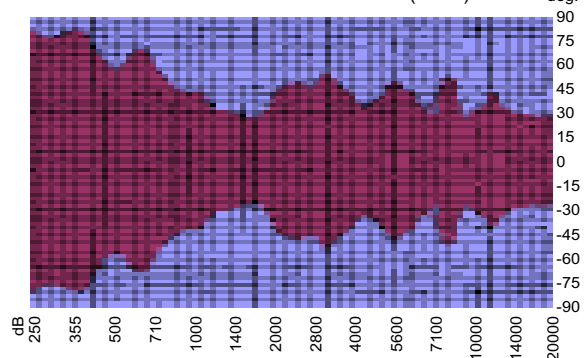
Vertical polar diagrams



dB SPL FREQUENCY RESPONSE



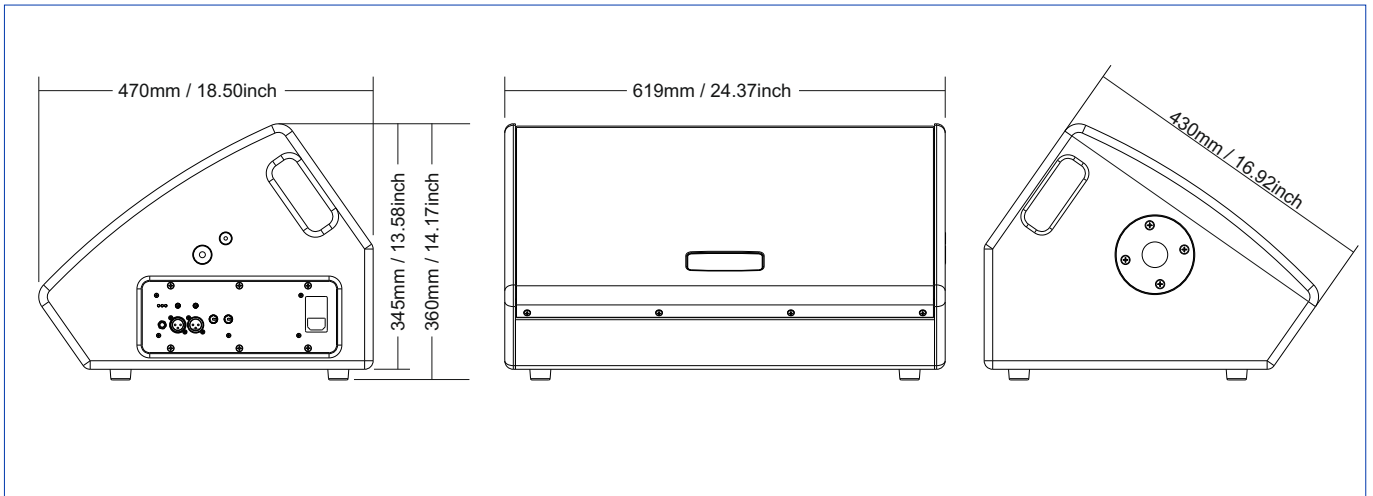
HORIZONTAL BEAMWIDTH (-6dB)



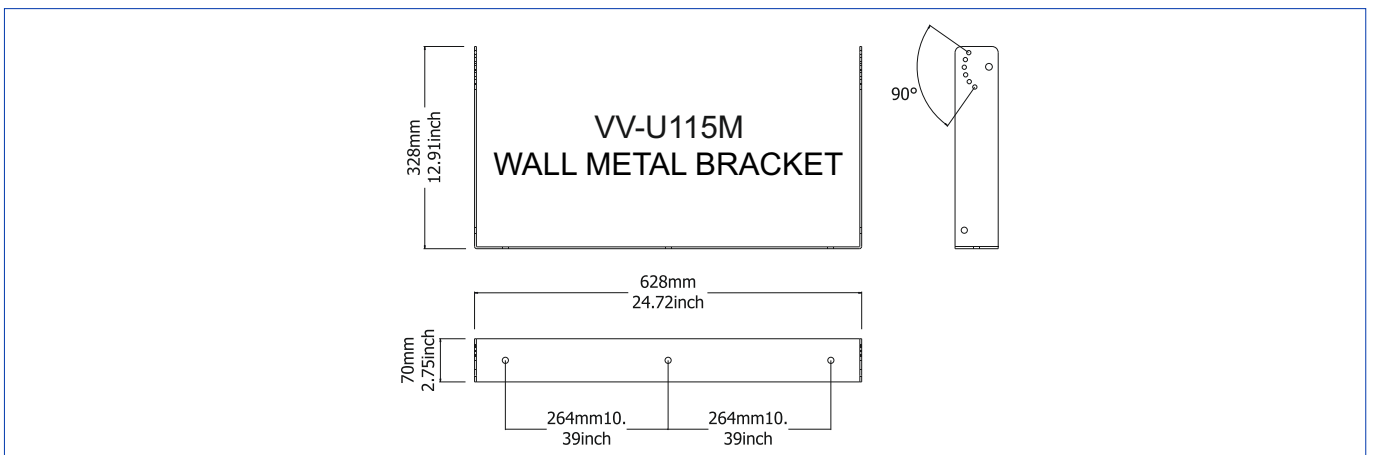


VERVE 115MA

DIMENSIONAL DRAWING



ACCESSORIES



CONTROL PANEL

New digital signal processor with 4 factory equalization presets provides simple and efficient EQ. adjustment. The presets have been extensively tested in the anechoic chamber to optimize the sound performance for different applications.

